



Supreme Stands

for HVAC Equipment



763-428-3677
SupremeStands.com



Supreme Stands
for HVAC Equipment

18550 County Rd. 81
Maple Grove, MN 55369
763-428-3677

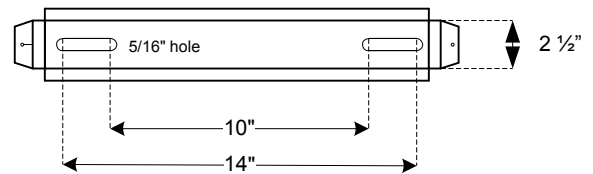
Mini Split Heat Pump Stand

MIN1627 (12" high)

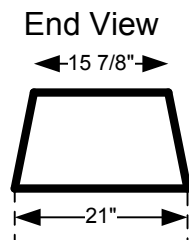
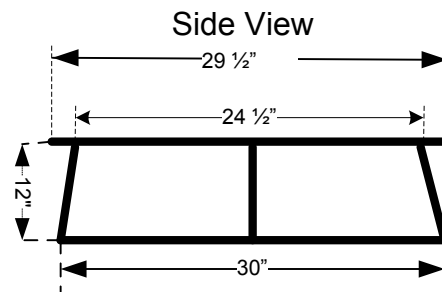
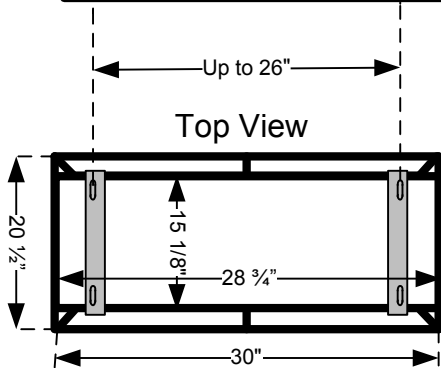
- Powder coat finish
- Rust resistant
- Stackable for space
- Fits 36 x 24" pad
- Hardware Included
- 400 lb capacity



Adjustable top plate



Slide rail to proper width





Supreme Stands
for HVAC Equipment

18550 County Rd. 81
Maple Grove, MN 55369
763-428-3677
steves@heatcool2.com

Mini Split Heat Pump Stands

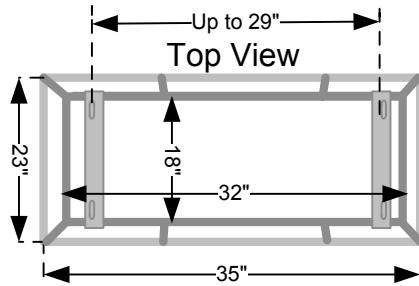
MIN1832 (10" high)
MIN1832T (18" high)

- Powder coat finish
- Rust resistant
- Stackable for space
- Hardware included
- 500 lb capacity

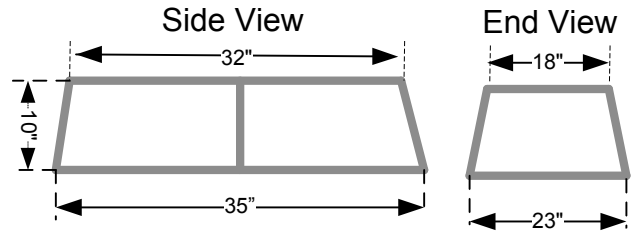
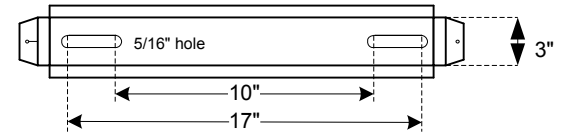
10" High
Part # MIN1832
Pad Size: 24 x 36"



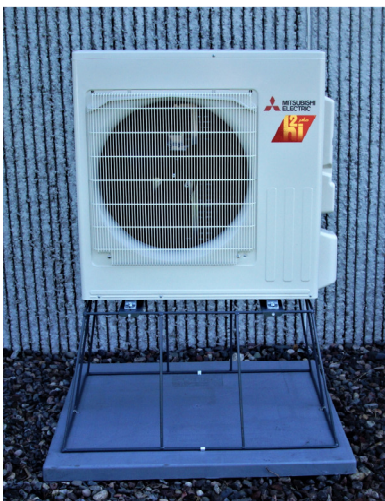
Slide rail to proper width



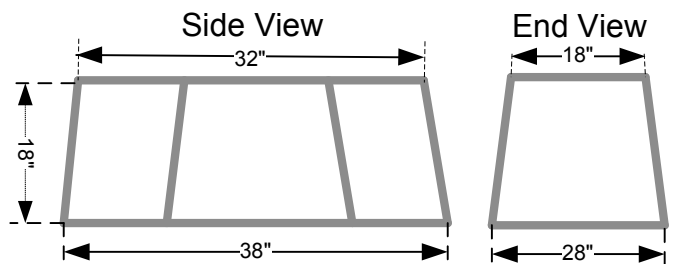
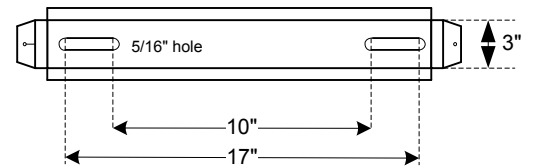
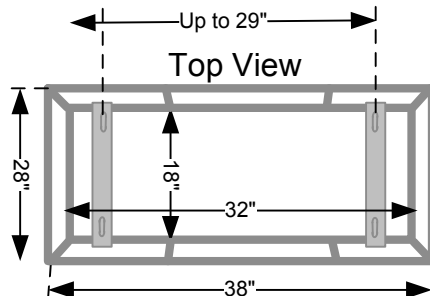
MIN1832 bracket



18" High
Part # MIN1832T
Pad Size: 30 x 40"



Slide rail to proper width





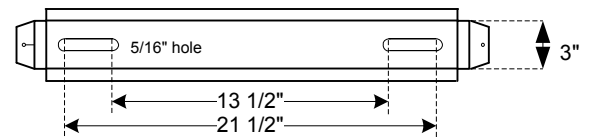
Supreme Stands
for HVAC Equipment

18550 County Rd. 81
Maple Grove, MN 55369
763-428-3677
steves@heatcool2.com

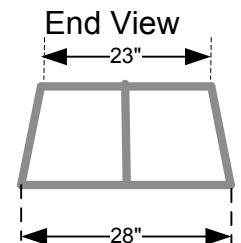
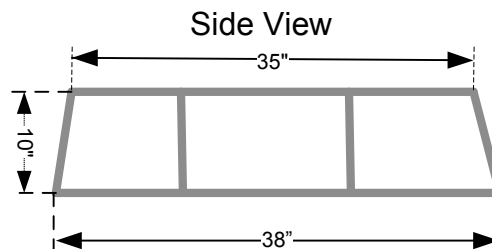
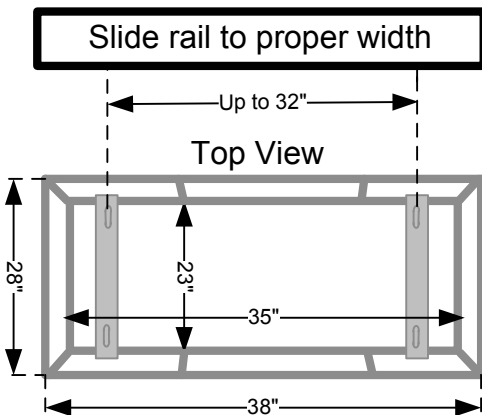
Mini Split Heat Pump Stands

MIN2335 (10" high)

- Powder coat finish
- Rust resistant
- Stackable for space
- Hardware included
- 500 lb capacity



Mini Split Stand (gray)
10" High
Part # MIN2335
Pad Size: 30 x 40"





Supreme Stands
for HVAC Equipment

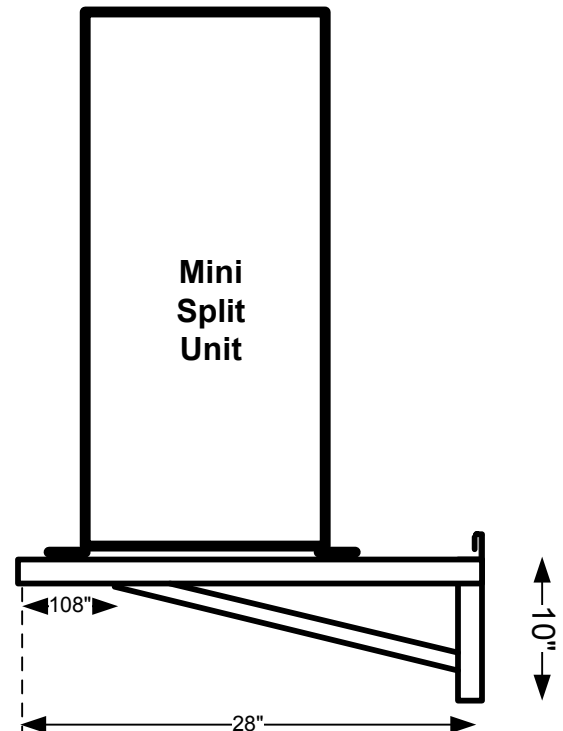
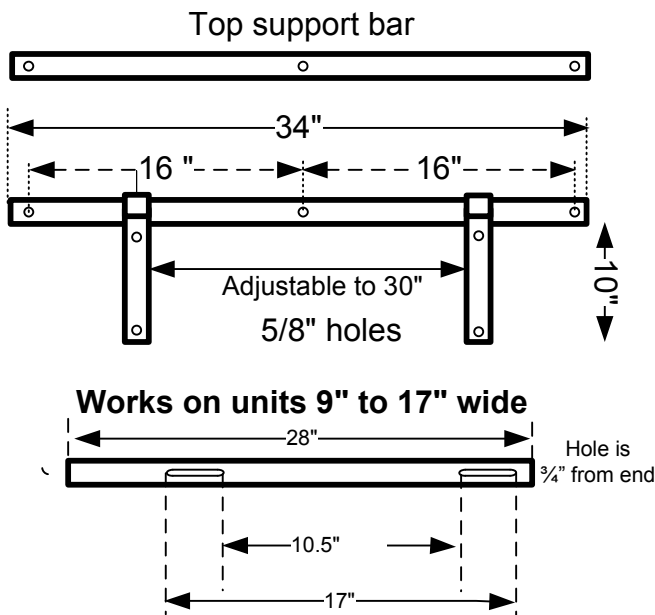
18550 County Rd. 81
Maple Grove, MN 55369
763-428-3677

Mini Split Wall Bracket

- Powder coat finish
- Rust resistant
- Sturdy wall bracket
- Hardware included
- 500 lb Max

Part # MWB2830

Hook and slide adjustable
Mini Split Wall Brackets



Mounts on rubber grommets to stop vibration

Hardware Include:

- 4- 5/16 x 1 1/4 flanged bolts
- 4- 5/16" flanged nuts
- 3- 1/2" x 4" anchor bolts w/washer
- 3- 1/2" x 4" Lag bolts w/washer (wood mount)
- 4- 1 1/2" x 1/2" rubber grommets

Instructions:

1. Slide hooked end of L shape bracket over the top bar.
2. Secure top bar to wood or concrete.
3. Spread leg to desired width and tighten bolts.
4. Insert rubber grommets in slotted holes.
5. Bolt unit to the bracket with 5/16 x 1 1/4" flange bolt



Supreme Stands
for HVAC Equipment

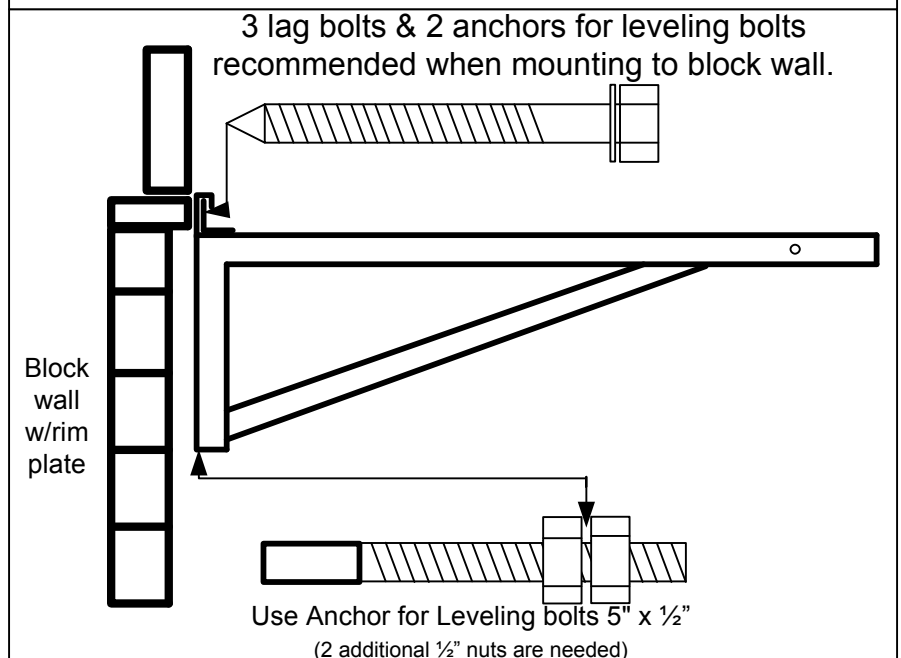
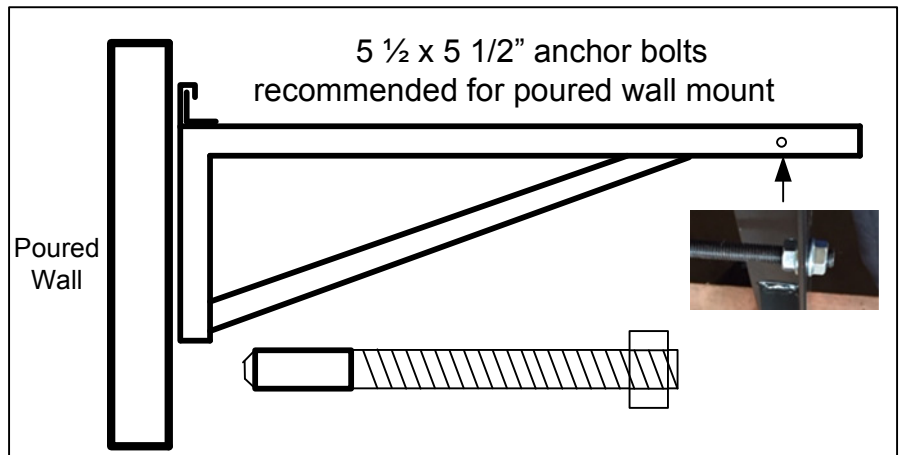
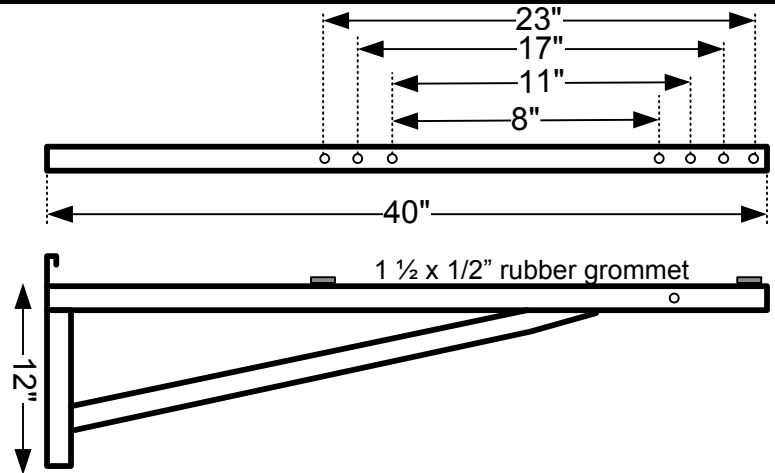
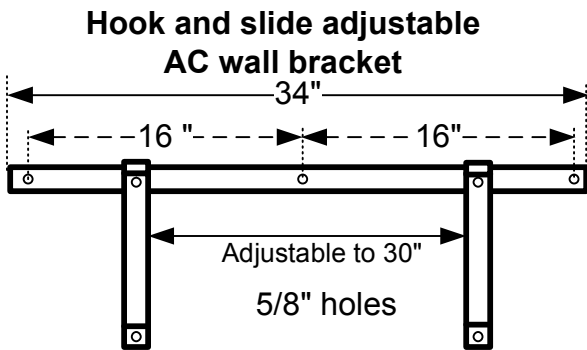
18550 County Rd. 81
Maple Grove, MN 55369
763-428-3677

Universal AC Wall Bracket

Part #ACWB-40

- Powder coat finish (rust resistant)
- Mounted on rubber vibration eliminators
- Sturdy wall bracket
- Hardware included
- (450 lb. max)

Part #ACWB-40



Hardware Include:

- 4- 1 1/2" x 1/2" rubber grommet
- 4- 1" x #10 Screws
- 4- 3/16" bonded washers
- 5- 1/2" x 5 1/2" anchor bolts w/washer (concrete mount)
- 3- 1/2" x 5" lag bolts w/washer (wood mount)
- 1- 32" x 3/8" threaded rod w/4 nuts for spacer.



Supreme Stands
for HVAC Equipment

18550 County Rd. 81
Maple Grove, MN 55369
763-428-3677

Reversible Stands for Air Conditions & Heat Pumps

Fits
Bryant, Carrier, Payne, etc.

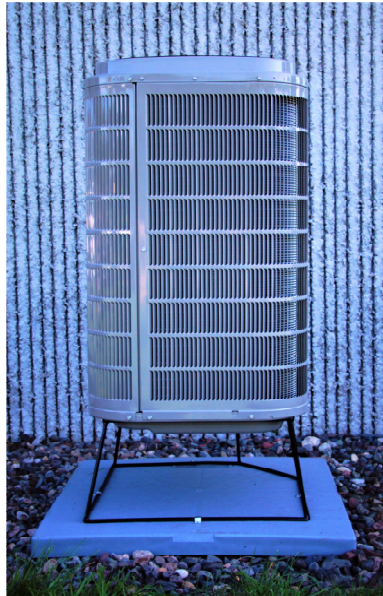
- Reversible
- Powder coated
- Distributes weight evenly
- Keeps from saddling
- Holds up to 2,000 lbs.
- Stackable (less space)
- Pallet quantity (42)
- Looks professional

Why under AC's

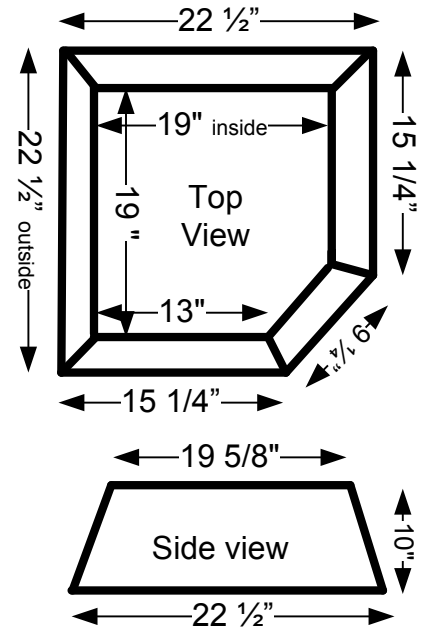
- Easier to service
- Keep dogs from urinating on unit
- Protect from mowing and weed whipping
- Keep mice out of unit
- Low ground or flooding

Part#: HPS1923

Fits
23 x 23" unit
26 x 26" unit

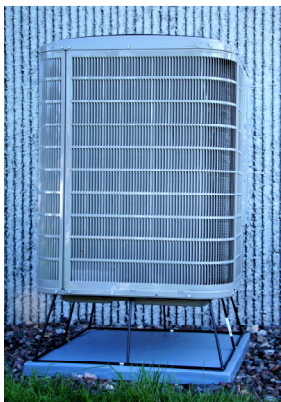


23 x 23" unit



Part#: HPS2430

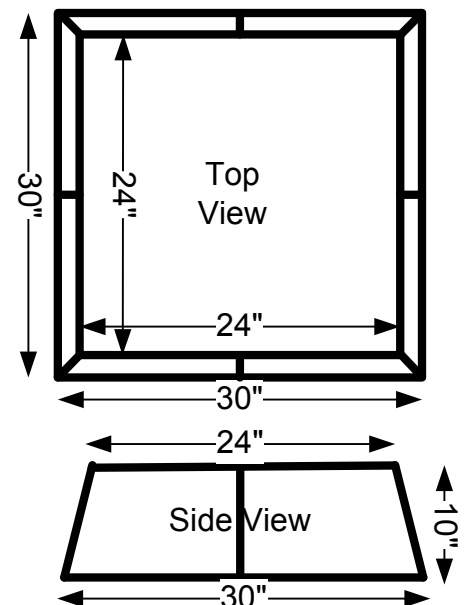
Fits
31 x 31" unit
35 x 35" unit



31 x 31" unit



35 x 35" unit





Supreme Stands
for HVAC Equipment

18550 County Rd. 81
Maple Grove, MN 55369
763-428-3677

Reversible Heat Pump Stand

Lennox Heat Pumps

- Reversible
- Powder coated
- Custom fit
- Looks professional
- Durable
- Holds up to 2,000 lbs.
- Stackable (less space)
- Pallet quantity (42)



Why under AC's

- Easier to service
- Keep dogs from urinating on unit
- Protect from mowing and weed whipping
- Keep mice out of unit
- Low ground or flooding

Part UNV2430 w/bracket fits

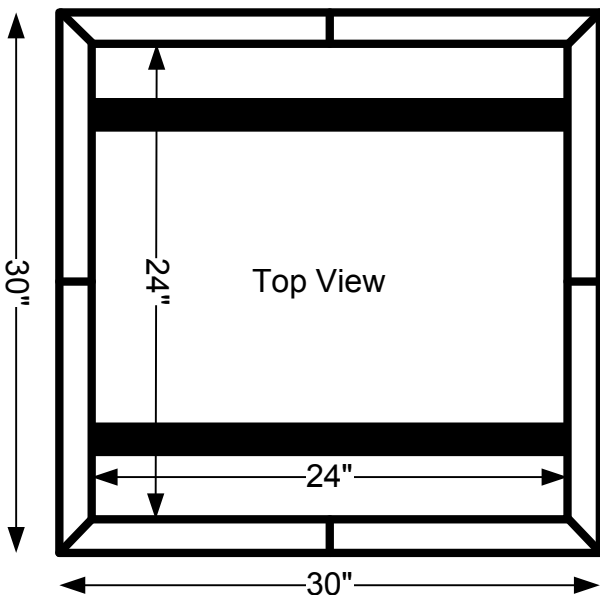
XP25, XP21, XP17, XP16, XP14, XP13, HPX14 units

24 x 24" & 28 x 28" units Lennox units

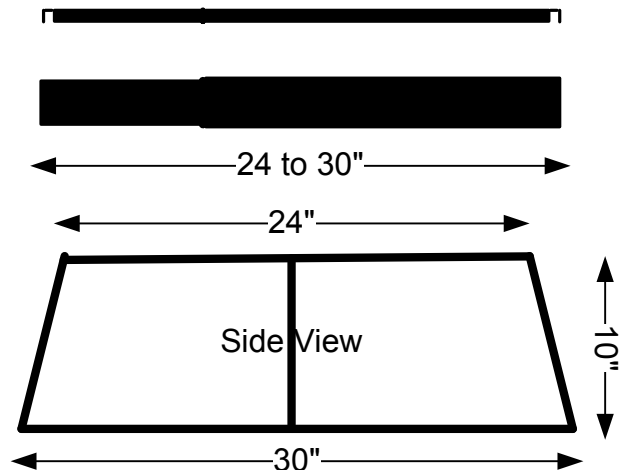
27 x 28" units

30 x 35 & 35 x 39" units

32 x 32" units



Telescoping Bracket
Bracket can go on both sides
Universal Stand (works on all)





Supreme Stands
for HVAC Equipment

18550 County Rd. 81
Maple Grove, MN 55369
763-428-3677

Reversible Heat Pump Stand

Fits Goodman, Amana, Daikin

- Reversible
- Powder coated
- Looks professional
- Durable
- Holds up to 2,000 lbs.
- Stackable (less space)

Why under AC's

- Easier to service
- Keep dogs from urinating on unit
- Protect from mowing and weed whipping
- Keep mice out of unit
- Low ground or flooding

Part#: HPS2430

Fits

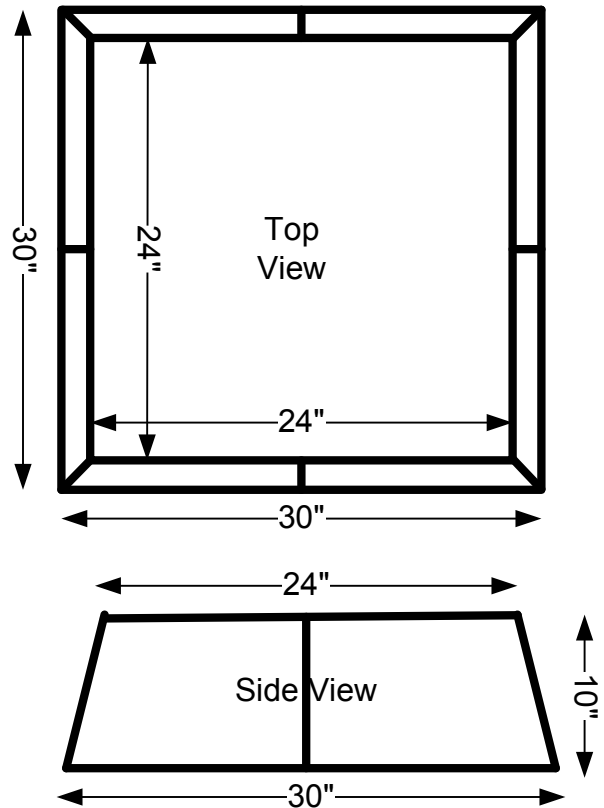
29 x 29" unit

35 1/2" x 35 1/2" units



29 x 29" unit

35 1/2 x 35 1/2" unit





Supreme Stands
for HVAC Equipment

18550 County Rd. 81
Maple Grove, MN 55369
763-428-3677

Reversible Heat Pump Stand

Rheem & Ruud Units

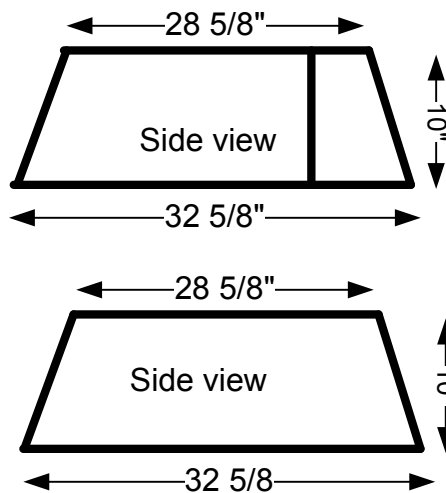
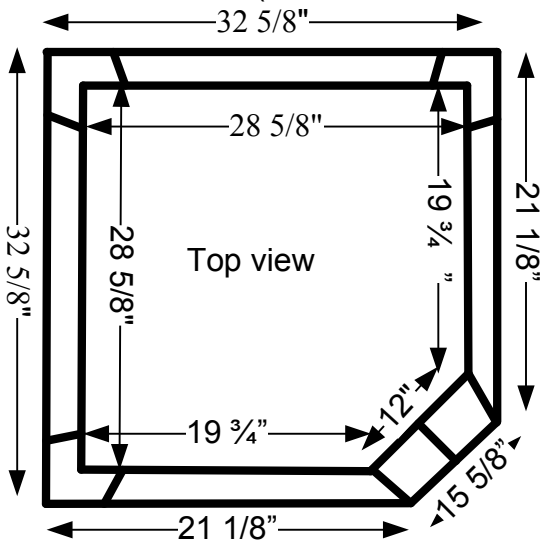
LEN2828 (fits 33 3/4 x 33 3/4" & 35 3/4 x 35 3/4" units)

HPS1923 (fits 29 3/4 x 29 3/4" unit)

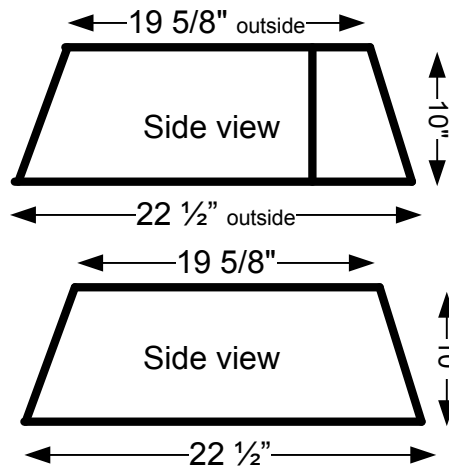
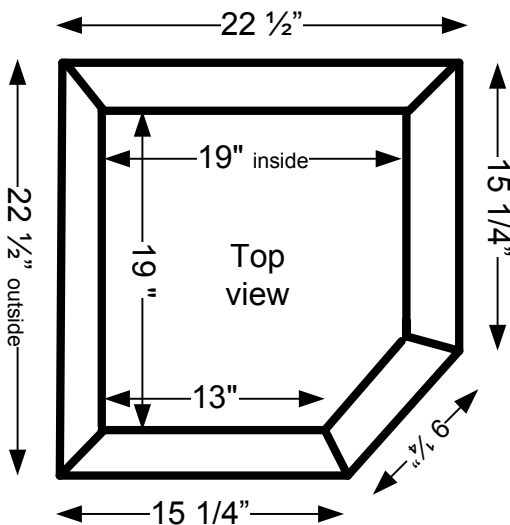
- Reversible
- Powder coated
- Custom fit
- Looks professional
- Durable
- Holds up to 2,000 lbs.
- Stackable (less space)
- Pallet quantity (42)



LEN2828 Part # (fits 33 3/4 x 33 3/4" & 35 3/4 x 35 3/4" units)



HPS1923 Part # (fits 29 3/4 x 29 3/4" units)





Supreme Stands
for HVAC Equipment

18550 County Rd. 81
Maple Grove, MN 55369
763-428-3677

Reversible Heat Pump Stands

Fits all Trane and American Standard
Heat Pumps

- Reversible
- Powder coated
- Custom fit
- Looks professional
- Durable
- Holds up to 2,000 lbs.
- Stackable (less space)
- Pallet quantity (42)

Why under AC's

- Easier to service
- Keep dogs from urinating on unit
- Protect from mowing and weed whipping
- Keep mice out of unit
- Low ground or flooding

Part HPS2428

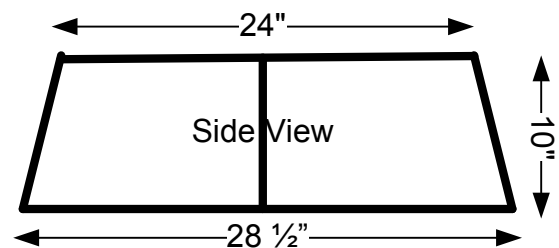
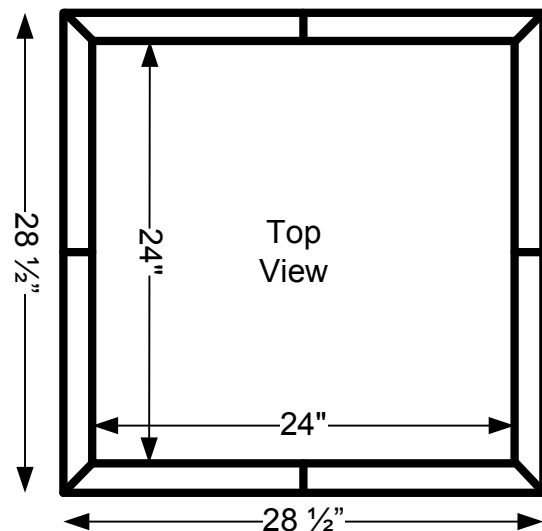
Fits

33 x 30"

37 x 34"



33 x 30" unit





Supreme Stands
for HVAC Equipment

18550 County Rd. 81
Maple Grove, MN 55369
763-428-3677

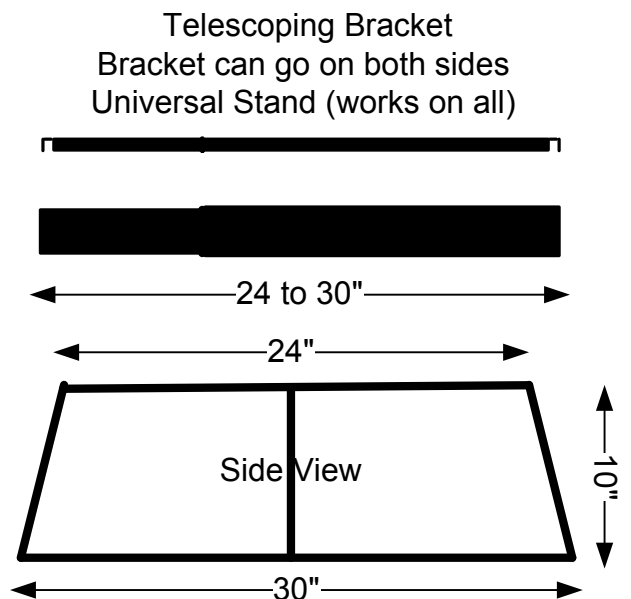
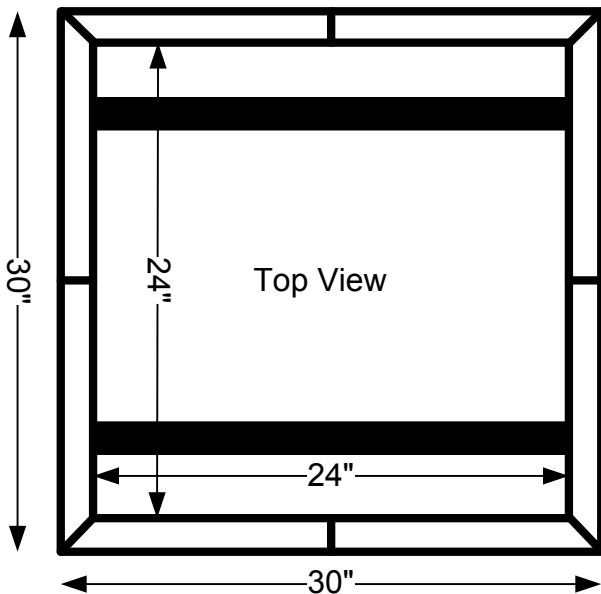
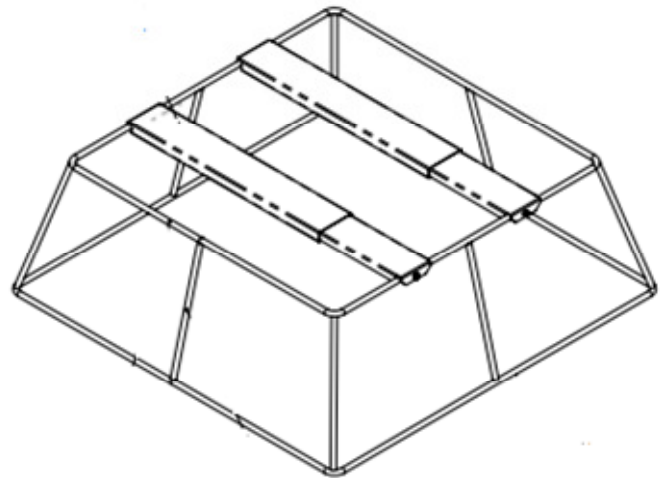
Universal Reversible Heat Pump Stand Part # UNV2430

- Reversible adjustable brackets
- Powder coated
- Looks professional
- Durable

Why under AC's

- Easier to service
- Keep dogs from urinating on unit
- Protect from mowing and weed whipping
- Keep mice out of unit
- Low ground or flooding

Part UNV2430
JCI, Nordyne & Bosch units





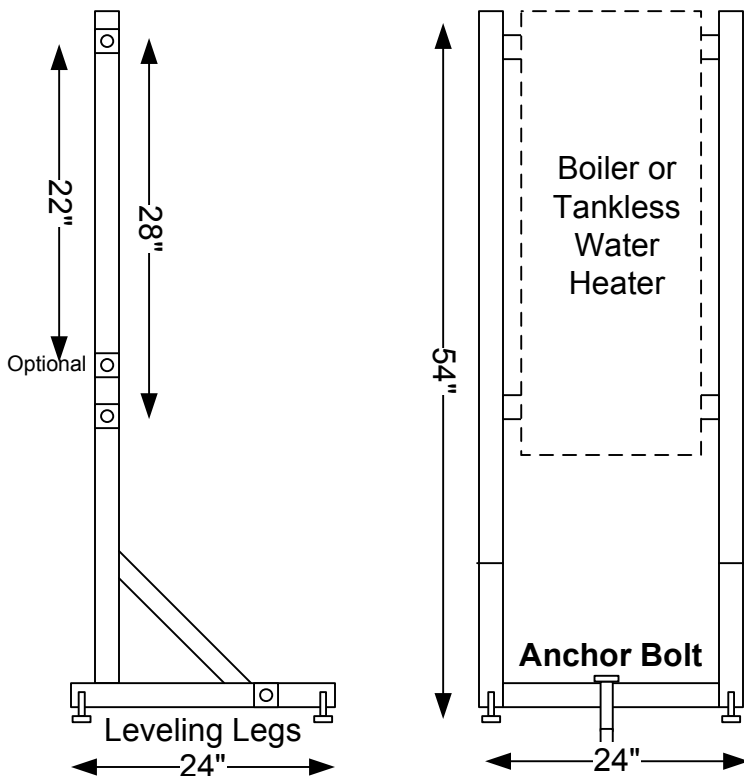
Supreme Stands
for HVAC Equipment

18550 County Rd. 81
Maple Grove, MN 55369
763-428-3677
steves@heatcool2.com

Universal Boiler and Tankless Water Stand

Part Number: BS2454

- Adjustable legs for leveling
- Easy assembly
- Powder coated finish
- Hardware included
- 1 ½ x 1 ½" sq. tube
- 400 Pound Max



Instructions:

- **Install the crossbar with ½" holes on the bottom for anchor bolt**
- Install top two crossbars with bolts included and tighten. (optional height)
- Self tapping included for mounting the boiler
- Anchor bolt is not included (required when boiler is over 200 pounds.)

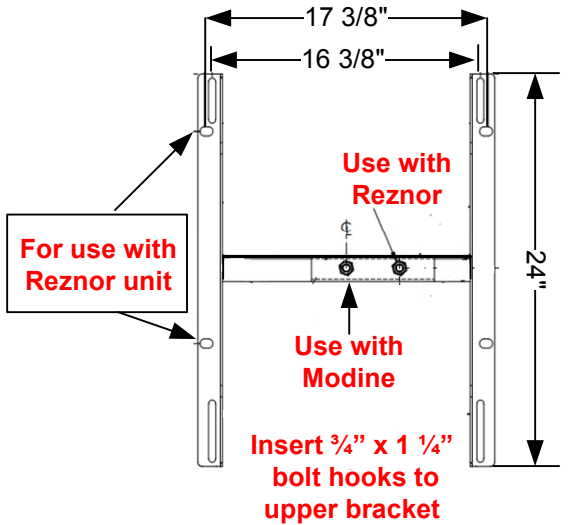


Supreme Stands
for HVAC Equipment
18550 County Rd. 81
Maple Grove, MN 55369
763-428-3677

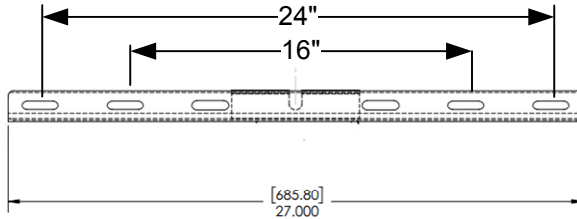
Unit Heater Bracket

Part Number: UH24-UNV

- Mount upper bracket to ceiling
- Attach lower bracket to unit
- Simply hook unit to upper bracket and tighten
- Hardware included with powder coat finish
- Rotates to any angle
- Carriers up to 400 lb.
- Works with Modine, Reznor, Sterling and most brands



Lower Bracket (bolts to unit)
using 3/4 x 3/8" bolts & washers



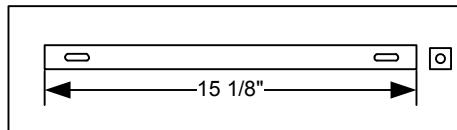
Ceiling Bracket (bolts to ceiling)
Using 2 1/2" x 3/8 lag bolts & washers

- Hardware included
- 1- 1/2" x 1-1/4" flange bolt
 - 2- 2 1/2" x 3/8 lag bolts
 - 4- 3/4 x 3/8 bolts
 - 4- 3/8 locking nuts
 - 10- 3/8 bonded washers
 - 2- safety brackets to level unit

Available parts
for Modine
& Reznor

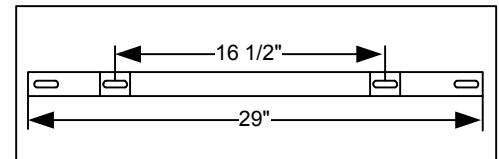
Part #
R-Angle
M-Angle

Modine
HD100 & 125 requires
Part # M-Angle



- Hardware included
- 4- 3/4 x 3/8 bolts
 - 4- 3/8 locking nuts
 - 8- 3/8 bonded washers

Reznor
UDX150-400 requires
Part # R-Angle



- Hardware included
- 4- 3/4 x 3/8 bolts
 - 4- 3/8 bonded washers



Modine Hot Dawg
30 to 75,000 btu



Modine Hot Dawg
100 to 125,000 btu
Use M-Angle



Reznor UDX & UDZ
30 to 125,000 btu



Reznor UDX & UDZ
150 to 400,000 btu
Use R-Angle

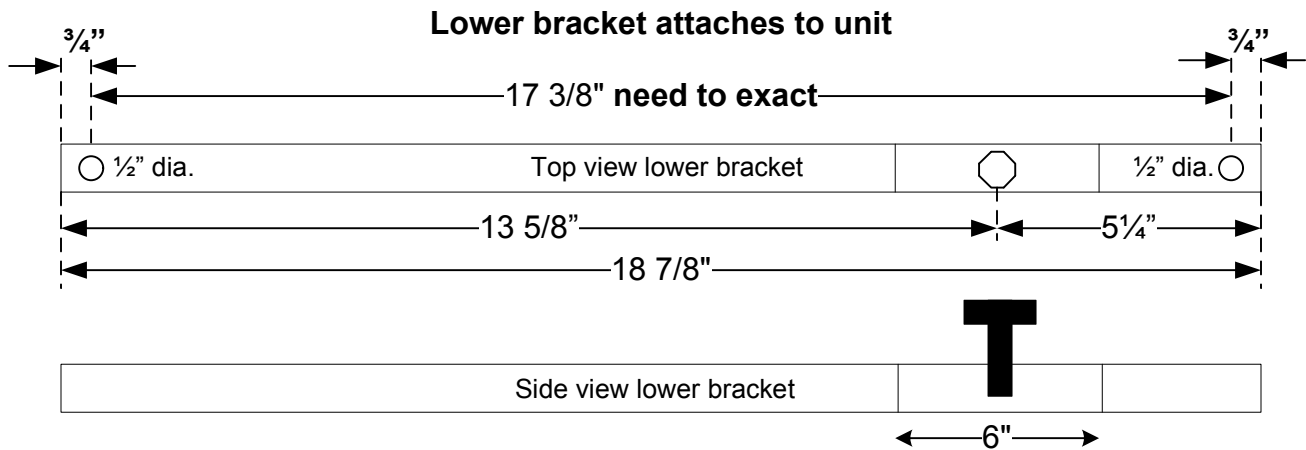
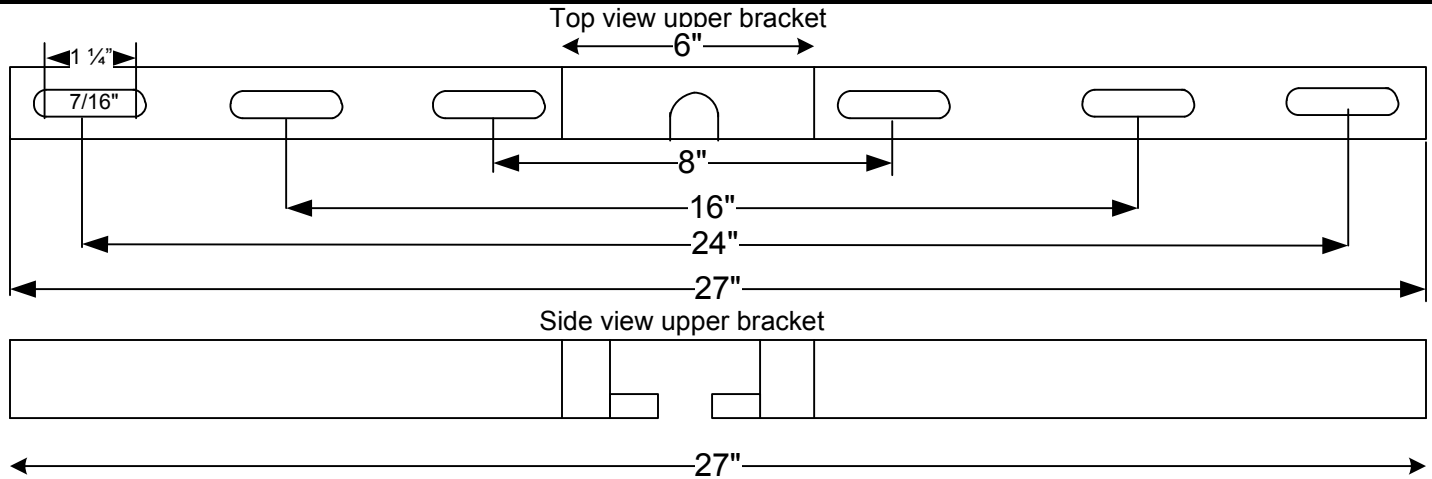


Supreme Stands
for HVAC Equipment
18550 County Rd. 81
Maple Grove, MN 55369
763-428-3677

Quick Hanging Unit Heater Bracket

Part Number: UH21-R

- Mount upper bracket to ceiling
- Attach lower bracket to unit
- Simply hook unit to upper bracket and tighten
- Hardware included with powder coat finish
- Rotates to any angle
- Fits UDAP 30 to 125,000 btu's
- 300 lb. max limit.



Hardware included

- 1- 1/2" x 1-1/4" flange bolt
- 2- 2 1/2 x 3/8 lag bots
- 2- 3/4 x 3/8 bolts
- 4- 7/16 Bonded rubber washer
- 2- safety brackets



Part # RW-3/4

This ratcheted-end wrench works best



Supreme Stands
for HVAC Equipment

18550 County Rd. 81
Maple Grove, MN 55369
763-428-3677

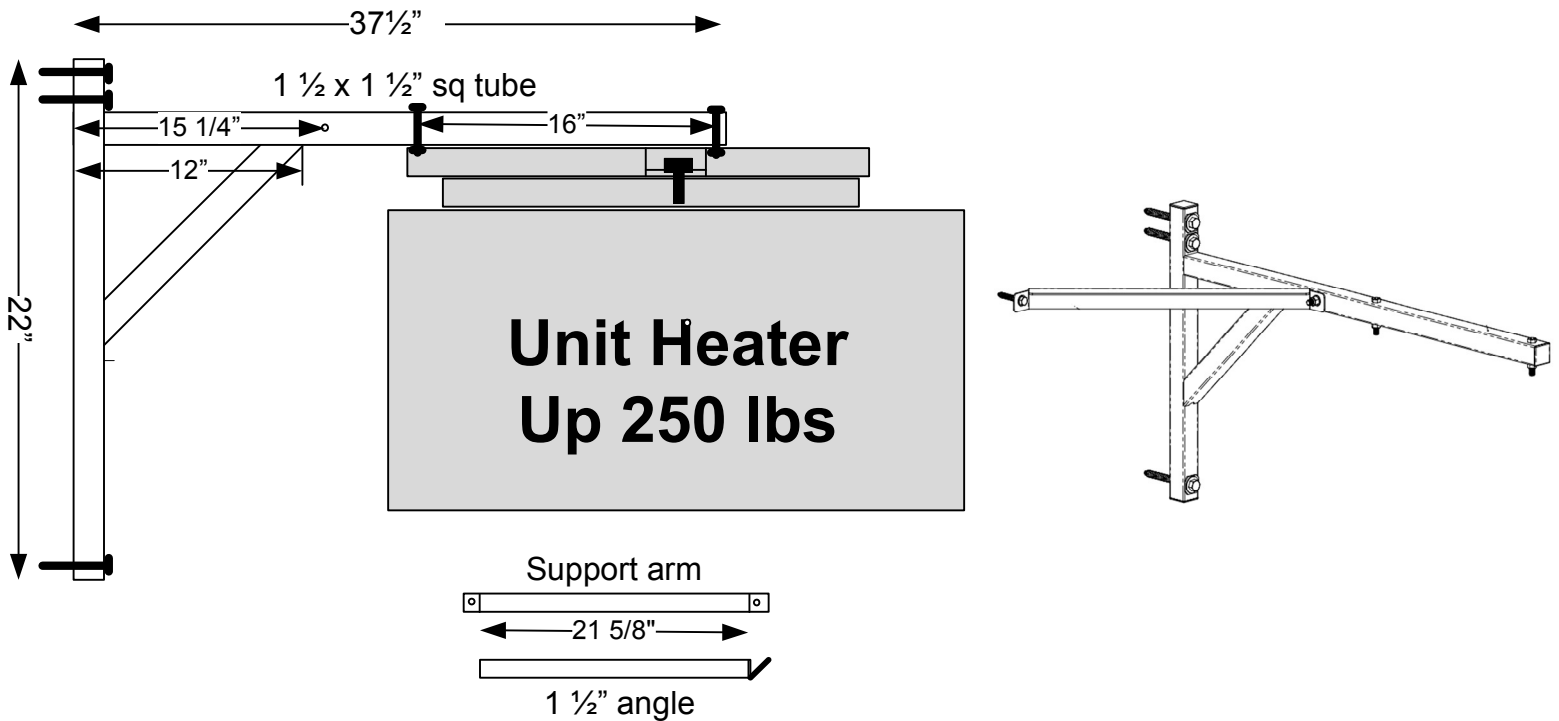
36" Unit Heater Wall Brackets

Ceiling Bracket not included

Used With:

UH22, UH21-R, UH28-R & UH24UNV ceiling bracket
Ceiling bracket is bolted to upper arm of wall bracket
Simply hook unit to upper bracket and tighten
Hardware included with powder coat finish
Rotates to any angle
250 lb max

Part Number: UHWB-36



Instructions:

1. Using 1/2" Lag bolts provided, bolt UHWB-36 securely to stud or solid up right wall. (very import to have this bolted securely.)
2. Using 3/8" x 2 1/2" bolt, bolt the support arm to UHWB-36.
3. Using 3/8" x 2 1/2" lag bolt, bolt support arm firmly to the wall.
4. Mount ceiling bracket to the UHWB-36 as shown in the picture.
5. Hang Unit Heat and turn to desired angle.

Hardware:

- 3 1/2 x 5" lag bolts with washer
- 3 3/8 x 2 1/2" bolts with fender washer, washer & Nylock Nut
- 1 3/8 x 2 1/2" lag with washer



Supreme Stands
for HVAC Equipment

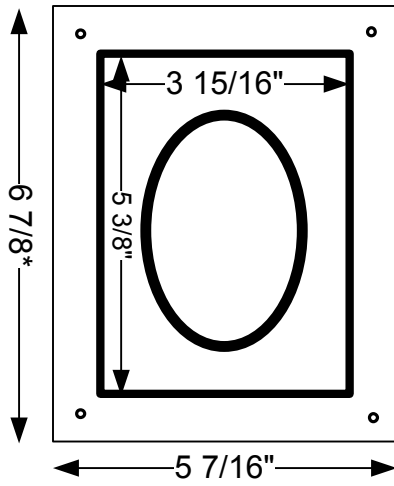
18550 County Rd. 81
Maple Grove, MN 55369
763-428-3677
steves@supremestands.com

AC Line Adjustable J Blocks (45 to 90 degree)

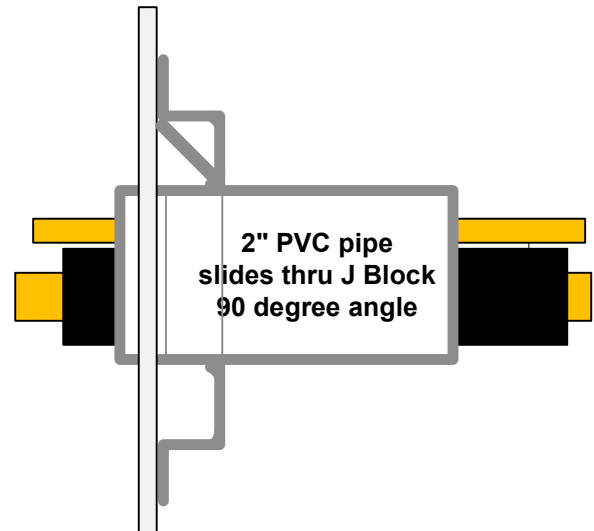
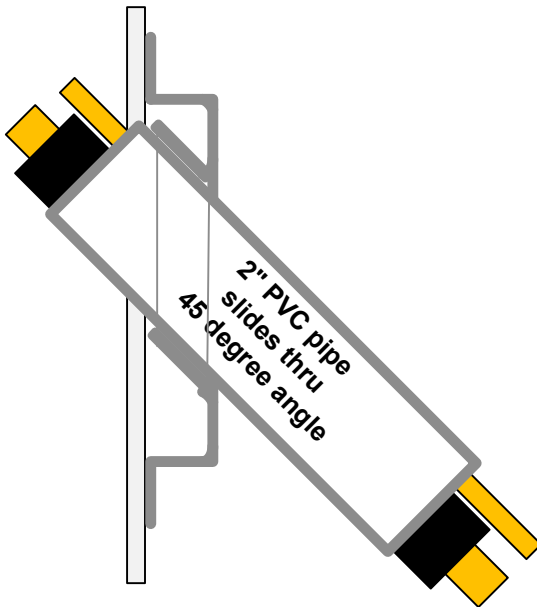
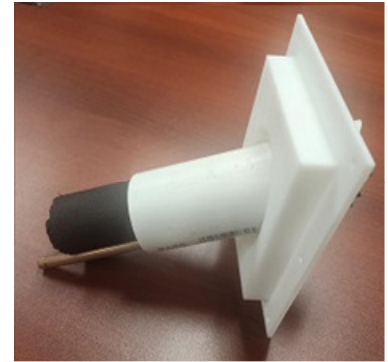
Protects from damage or kinked lines
Easy for siding installation
7/8, 3/4 & 5/8" with 3/8" suction line
Adjust to any angle
Clean Termination!

Part #: 2S-JBK-45

2" Single J Block 45*



3/4" Flange



Instructions:

1. Drill Penetration thru structure. (2 1/2" hole)
2. Screw J Block to building lined up with penetration.
3. Run line set thru J Block.
4. Cut desired length of 2" PVC pipe (Normally 6 to 8" long)
5. Slide over line set and into J Block
6. Silicone pipe to J Block

“Problem Solved”

Solves the problem
of a kinked off
line in the wall.



Guard for furnace & water heater vents

COMING SOON, FALL OF 2023

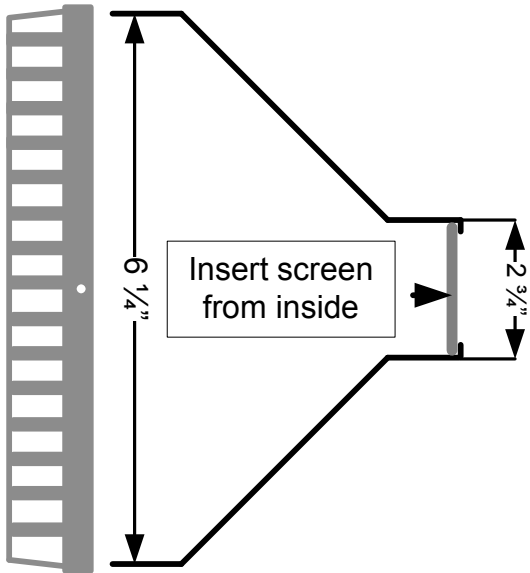
2 & 3" Concentric Screen Kits for intake and exhaust

Prevent costly service calls
Keeps mice & birds out of equipment.
Keeps leaves and debris out of equipment.



Mice in furnace from a Concentric Vent

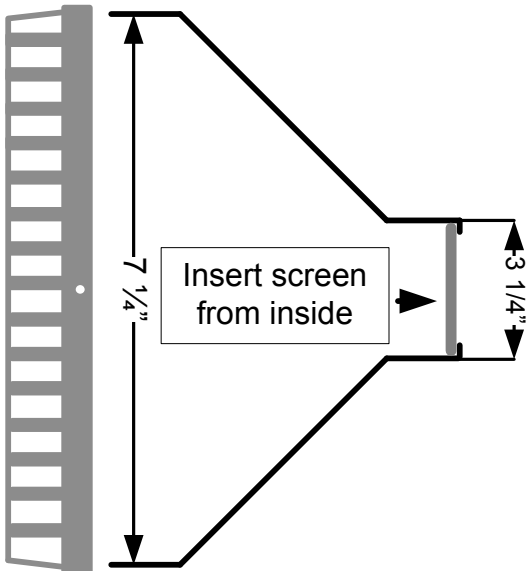
PN# CV-2 DVS



Instructions:
Remove concentric cap from pipe
Insert small screen inside of hub
Screw larger screen to intake side (screws provided)
Install exhaust screen with diamond pattern
Minimum clearance from exterior wall to intake screen 1/2"



PN# CV-3 DVS



Diamonds are a home's best friend.



Keeping the outside where it belongs.

Birds, squirrels, chipmunks, bats and other animals often seek a warm nest in furnace and water heater exhaust vents, not only causing a mess, but a costly service call too.

Our patent-pending **Diamond Vent Screens** are specially designed to let these varmints know homeowners aren't interested in having them over for a visit. Designed with furnace and water heater exhaust pipes in mind, our screens keep birds and small animals where they belong – outside.

In addition, **Diamond Vent Screens** prevent children from placing landscaping rocks and small toys inside exhaust pipes while playing outside. The screens come in four sizes:

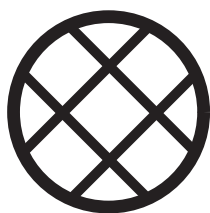


Screen size	Actual diameter	Part #
2"	2 3/8"	DVS-2
2.5"	2 7/8"	DVS-2.5
3"	3 1/2"	DVS-3
4"	4 1/2"	DVS-4

Trust **Diamond Vent Screen** to protect your home from unwelcome visitors.

Contact us at 763.428.3677 for more information.

Buy online at DiamondVentScreen.com

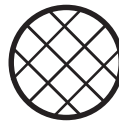


DIAMOND vent screen

Guard for furnace & water heater vents

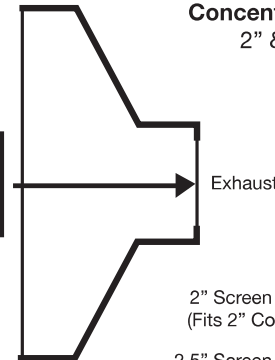
Without exaggeration, you will instantly appreciate the functionality and reliability of **Diamond Vent Screens**.

Very Important
Insert as diamond
(not horizontally)



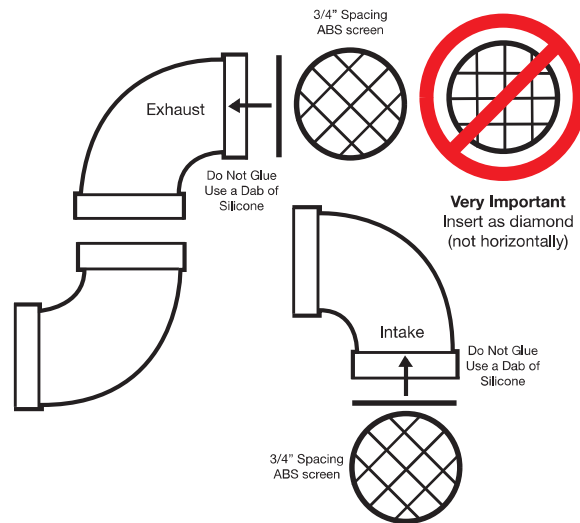
3/4" Spacing
ABS screen

Concentric Vent
2" & 3"



2" Screen Part # DVS-2
(Fits 2" Concentric Vent)

2.5" Screen Part # DVS-2.5
(Fits 3" Concentric Vent)



Diamond Vent Screen Product Advantages

- ◆ Easy to install
- ◆ Cost effective
- ◆ Protect against restricted pipes
- ◆ Keeps animals and objects out
- ◆ Provides safety and protection
- ◆ Prevents costly service calls, saving you time and money

