



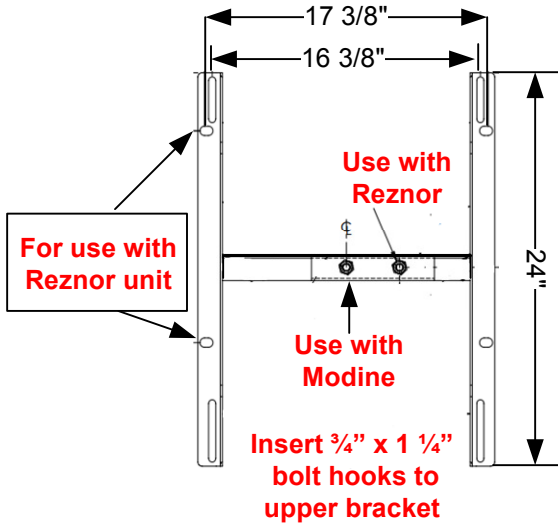
Supreme Stands
for HVAC Equipment

18550 County Rd. 81
Maple Grove, MN 55369
763-428-3677

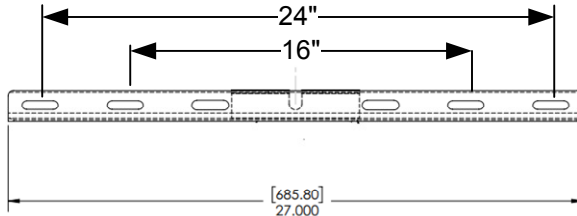
Unit Heater Bracket

Part Number: UH24-UNV with R-Angle

- Reznor UDX & UDZ models 30 to 400,000 btu's
- HeatStar Models HSU models 50 to 125,000 btu's
- Attach lower bracket to unit
- Simply hook unit to upper bracket and tighten
- Hardware included with powder coat finish
- Rotates to any angle
- Carriers up to 400 lb.



Lower Bracket (bolts to unit)
using 3/4 x 3/8" bolts & washers



Ceiling Bracket (bolts to ceiling)
Using 2 1/2" x 3/8 lag bolts & washers

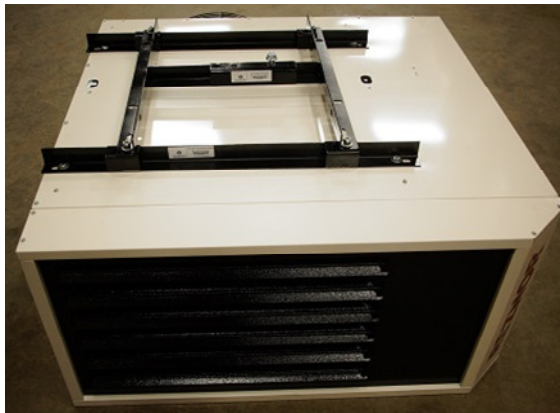
- Hardware included
- 1- 1/2" x 1-1/4" flange bolt
 - 2- 2 1/2 x 3/8 lag bolts
 - 4- 3/4 x 3/8 bolts
 - 4- 3/8 locking nuts
 - 10- 3/8 bonded washers
 - 2- safety brackets to level unit

Reznor
UDX & UDZ
30 to 125,000 btu

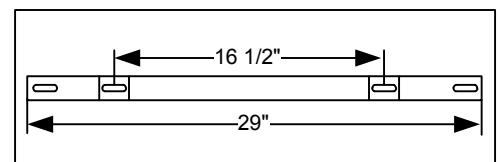


Part # RW-3/4
This ratcheted-end wrench works best

Reznor
UDX150-400 requires
Part # R-Angle



Optional Part
Part # R-Angle



- Hardware included
- 4- 3/4 x 3/8 bolts
 - 4- 3/8 bonded washers